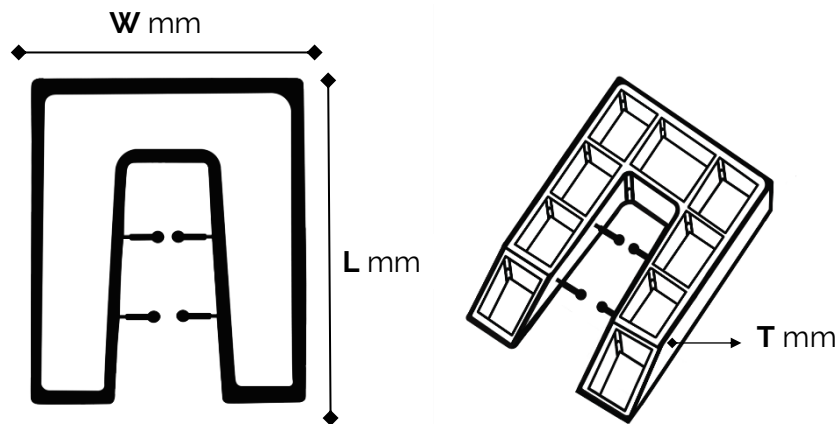


# Frame Packer C

| Colour | T mm | W mm | L mm |
|--------|------|------|------|
| Yellow | 1    | 50   | 60   |
| Grey   | 1.5  | 50   | 60   |
| Green  | 2    | 50   | 60   |
| Blue   | 3    | 50   | 60   |
| Red    | 4    | 50   | 60   |
| Brown  | 5    | 50   | 60   |
| Black  | 6    | 50   | 60   |
| Gray   | 10   | 50   | 60   |



\*Not to scale, all dimensions nominal

### Processing:

Injection Moulding

| Control Property:              | ISO Method | Units    | Values |
|--------------------------------|------------|----------|--------|
| Melt Flow Rate (230°C/2.16 kg) | 1133       | g/10 min | 12     |

| Typical Properties <sup>a</sup> :              | ISO Method | Units             | Values |
|--|------------|-------------------|--------|
| Density  | 1183-1     | g/cm <sup>3</sup> | 0.903  |
| Flexural Modulus - 1% secant                   | 178        | MPa               | 1050   |
| Tensile Strength at Yield                      | 527-1      | MPa               | 24     |
| Tensile Elongation at Yield                    | 527-1      | %                 | 6      |
| Shore Hardness (D Scale)                       | 868        | -                 | 70     |
| Notched Izod Impact Strength at 23°C           | 180        | kJ/m <sup>2</sup> | 40     |
| Notched Izod Impact Strength at -20°C          | 180        | kJ/m <sup>2</sup> | 6      |
| Deflection Temperature under Load at 0.455 MPa | 75-1/75-2  | °C                | 88     |
| Vicat Softening Temperature at 10N             | 306        | °C                | 145    |

a) Injection molded specification according to ISO 294.

All product specifications and data are subject to change without notice.

The data contained in this datasheet is believed to be accurate and is reproduced in good faith. It is the customer's responsibility to validate that a particular product described here-in is suitable for use in their application.

Version 1 January 2020

FinnsWorth disclaim any and all liability for any errors, inaccuracies or incompleteness contained in this datasheet. In addition FinnsWorth makes no warranty, representation or guarantee regarding the suitability of the product described by the datasheet for any particular or associated purpose.

Unit 2, Drury Way Industrial Estate,  
Laxcon Close, London, NW10 OTG

Contact No. : 020 8610 9669  
Email : enquiries@finnsworth.com  
Website : www.finnsworth.com